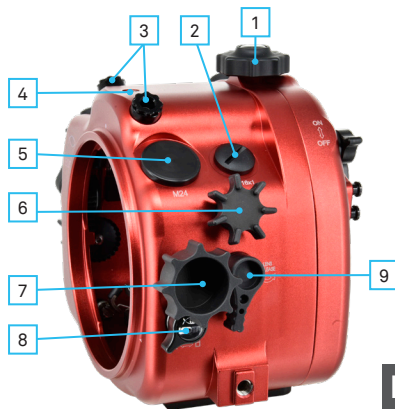


# IDENTIFICATION OF THE PARTS: FOR CANON EOS R5 HOUSING

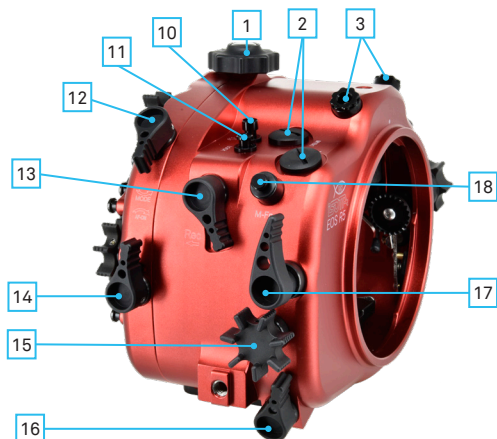
Before inserting the machine:

- Rotate the light button (10);
- Insert the machine, (see p. 13);
- Put the button back in position.

1. Locking knob
2. Hole M16x1
3. Fiber optic connection
4. Hole M8
5. Hole M24x1
6. Zoom knob with RF lens
7. Zoom knob with EF lens
8. Port safety lever
9. Lens release lever

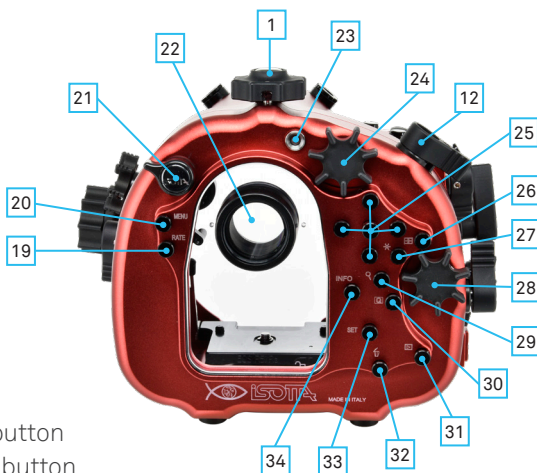


EN



10. LCD panel info switching/illumination button
11. (LOCK) Multi-function lock button
12. Lever (MODE)
13. Movie shooting lever
14. (AF-ON) AF start lever
15. Main dial
16. Depth-of-field preview button
17. Shutter button lever
18. (M-Fn) Multi-function button

19. Rating/Voice memo button (RATE)
20. Pulsante MENU
21. Power switch lever
22. Viewfinder
23. Humidity sensor led
24. Quick control dial 2
25. Multicontrol buttons
26. AF point selection button
27. AE lock button \*
28. Quick control dial 1
29. Magnify/Reduce button
30. Quick Control button
31. Playback button
32. Erase button



33. SET button
34. INFO button