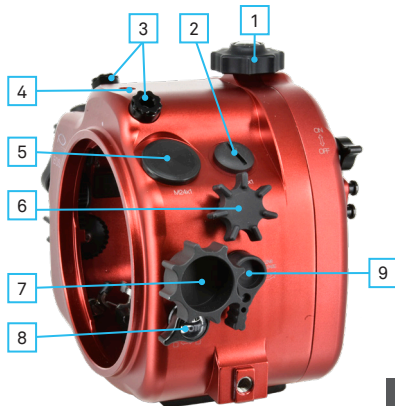


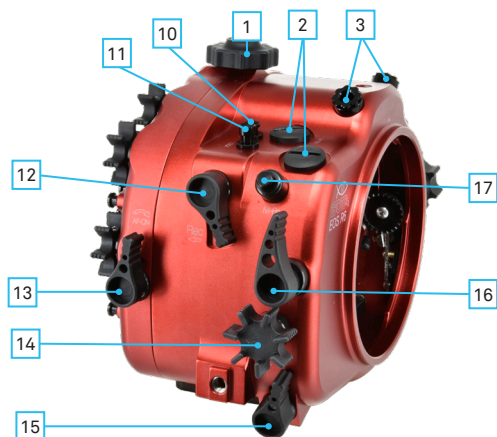
# IDENTIFICATION OF THE PARTS: FOR CANON EOS R6 HOUSING

Before inserting the machine:  
 - Rotate the mech. of return button (10);  
 - Insert the machine, (see p. 13);  
 - Put the button back in position.






1. Locking knob
2. Hole M16x1
3. Fiber optic connection
4. Hole M8
5. Hole M24x1
6. Zoom knob with RF lens
7. Zoom knob with EF lens
8. Port safety lever
9. Lens release lever

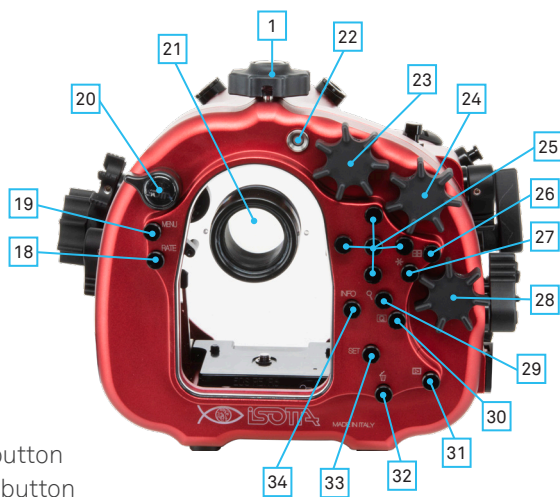


EN



10. Mechanisms of return button
- 11.(LOCK) Multi-function lock button
12. Movie shooting lever
13. (AF-ON) AF start lever
14. Main dial
15. Depth-of-field preview button
16. Shutter button lever
17. (M-Fn) Multi-function button

18. Rating/Voice memo button (RATE)
19. Pulsante MENU
20. Power switch lever
21. Viewfinder
22. Humidity sensor led
23. Mode dial
24. Quick control dial 2
25. Multicontrol buttons
26. AF point selection button 
27. AE lock button \*
28. Quick control dial 1
29. Magnify/Reduce button 
30. Quick Control button 
31. Playback button 
32. Erase button 



33. SET button
34. INFO button